

SERIES 2100

Screw to screw-less terminal strips used for making faster electrical connections inside lighting and electrical appliances.



Raw materials

Moulding: Polyamide 6.6. Cream colour. V0 (according to UL94).

Insert: Steel.


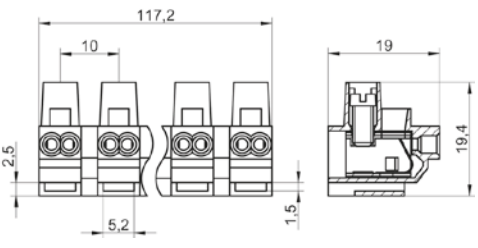





Screws: Zinc-plated steel. Metric thread.


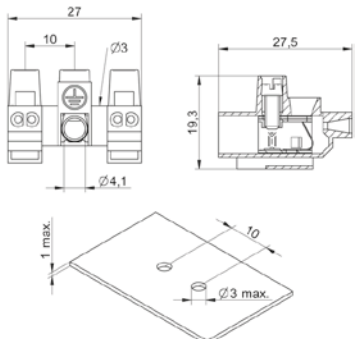







Glow-wire test 960°C according to EN 60695-2-11

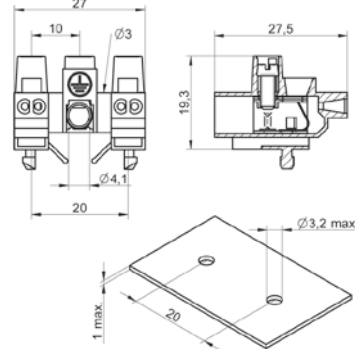





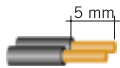

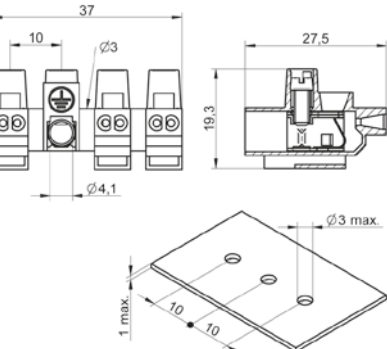





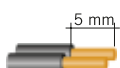

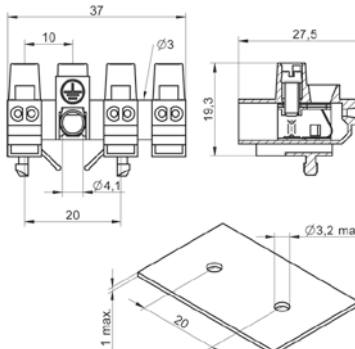





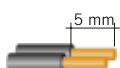

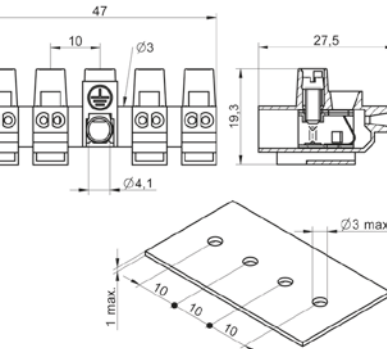





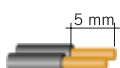

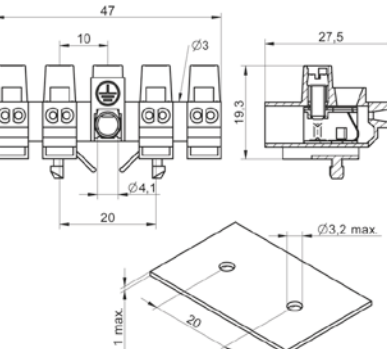





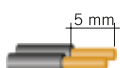

Technical features according to EN 60998



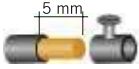
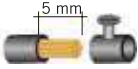
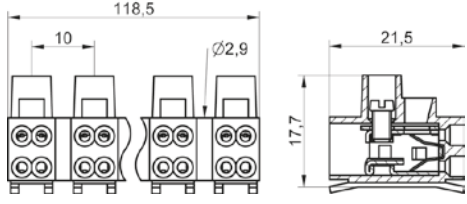

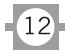
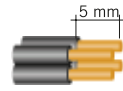

Types **2100** and **2200**: supplied in 12 ways strip. Available pre-cut and printed upon request.



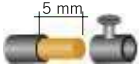
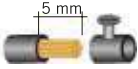
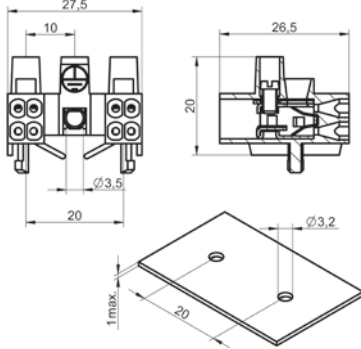


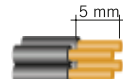

2100	 2,5 mm ² / 1 mm ²		 200 pcs. 437x171x117 mm	 6,8 Kg	
	 2 x 1,5 mm ² / 0,75 mm ²		 M 3	 12 ways	Voltage 450V

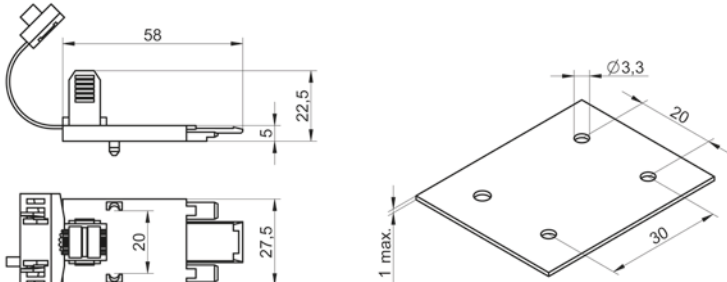


2102	 2,5 mm ² / 1 mm ²		 1.000 pcs. 330x270x230 mm	 9,6 Kg	
	 2 x 1,5 mm ² / 0,75 mm ²		 M 3	Standard printing 	Voltage 450V

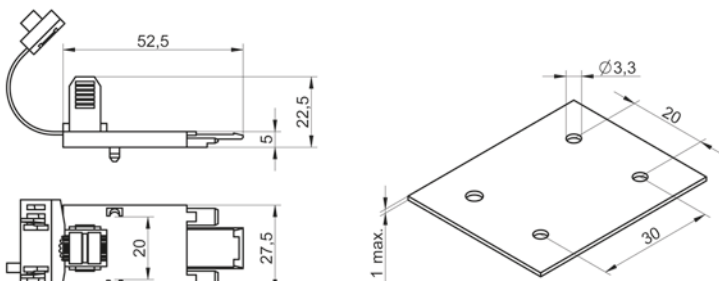


SERIES 2100

2102 A		 1.000 pcs. 330x270x230 mm  9,7 Kg
 2,5 mm ² / 1 mm ²		 M 3 Standard printing N  L
 2 x 1,5 mm ² / 0,75 mm ²		Voltage 450V Current rating 24A  110°C
2103		 1.000 pcs. 330x270x230 mm  12,9 Kg
 2,5 mm ² / 1 mm ²		 M 3 Standard printing L1N  L
 2 x 1,5 mm ² / 0,75 mm ²		Voltage 450V Current rating 24A  110°C
2103 A		 750 pcs. 330x270x230 mm  9,6 Kg
 2,5 mm ² / 1 mm ²		 M 3 Standard printing L1N  L
 2 x 1,5 mm ² / 0,75 mm ²		Voltage 450V Current rating 24A  110°C
2104		 500 pcs. 330x270x230 mm  7,9 Kg
 2,5 mm ² / 1 mm ²		 M 3 Standard printing L1N  LL1
 2 x 1,5 mm ² / 0,75 mm ²		Voltage 450V Current rating 24A  110°C
2104 A		 500 pcs. 330x270x230 mm  7,9 Kg
 2,5 mm ² / 1 mm ²		 M 3 Standard printing L1N  LL1
 2 x 1,5 mm ² / 0,75 mm ²		Voltage 450V Current rating 24A  110°C

2200		 200 pcs. 480x194x144 mm		 7,4 Kg
 5 mm  5 mm 2,5 mm ² / 1 mm ²		 M 3	 12 ways	
 5 mm 4 x 1,5 mm ² / 0,5 mm ²		Voltage 450V	Current rating 24A	 85°C

2202		 1.000 pcs. 330x270x230 mm		 9,7 Kg
 5 mm  5 mm 2,5 mm ² / 1 mm ²		 M 3	Standard printing  N L	
 5 mm 4 x 1,5 mm ² / 0,5 mm ²		Voltage 450V	Current rating 24A	 85°C

ST/1 Strain relief clamp (for clamping and fixing external conductors in lighting fixtures).	
Types 2102, 2103 and 2104	
Polyamide 6. Natural colour	
 500 pcs. 330x270x230 mm	
 2,7 Kg	

ST/2 Strain relief clamp (for clamping and fixing external conductors in lighting fixtures).	
Type 2202	
Polyamide 6. Natural colour	
 500 pcs. 330x270x230 mm	
 2,7 Kg	