

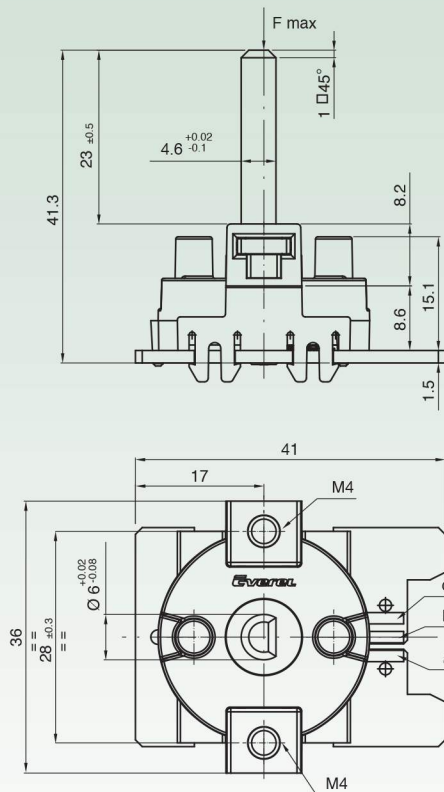
MB

| MINICODI | FIXING TYPE | H SHAFT (mm) | NUMBER OF POSITIONS |
|----------|-------------|----------------------|--|
| MB1 | Screw m4 | ■ 13,7 cross ■ 23 | ■ Free rotation with 1 position at 0° ■ Free rotation with 20 positions |
| MB2 | Shap in | | |

MB1

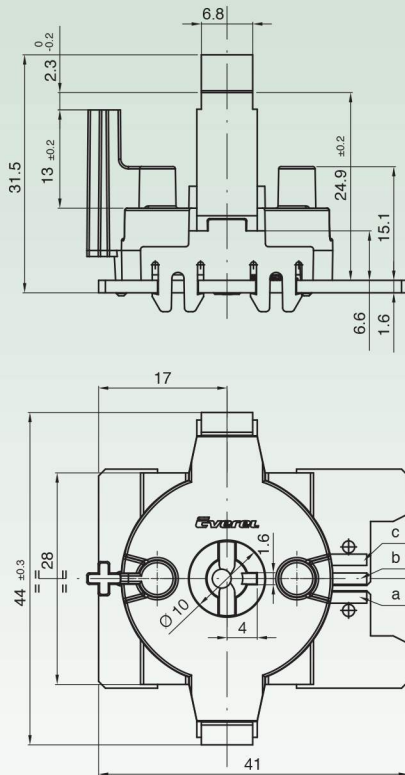


MB1



MS1 encoder, version with M4 screw fixing type.

MB2



MS2 encoder, version with snap in fixing type.