



# Ventilation Glands Brass

### Cable glands with integrated ventilation

- Balances pressure differences between inner housing and the outside environment.
- Prevents damages according to pressure differences.
- Prevents the formation of water condensation in tightly-sealed standard housings.
- Advantages of cable gland and pressure balance element combined in one product.
- Properties of the ventilation membrane stay the same independent of cable diameter and torque.
- Membrane properties: hydrophobic, oleophobic.
- For metal machines and housings.
- For industrial applications in harsh environments.
- Easy assembly: install cable gland - insert cable - tighten cap.
- High quality strain relief and sealing, reliable performance for standard industrial applications.
- Up-to-date international approvals.

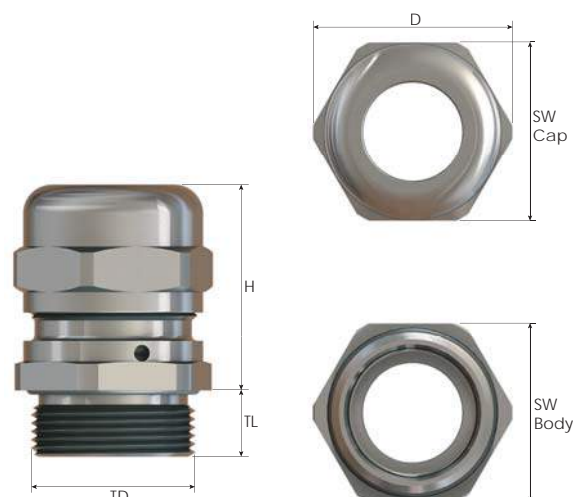
### Technical Details

<b>Material</b>	<b>Body</b>	Brass, Nickel plated	
	<b>Cap</b>	Brass, Nickel plated	
	<b>Seal</b>	CR (Chloroprene Rubber)	
	<b>Clamp. Insert</b>	PA 6 (Polyamide 6)	
	<b>Vent Membran</b>	PTFE	
	<b>O-Ring</b>	NBR	
<b>Protection Class</b>	IP 66 - IP 67		
<b>Flammability</b>	V2 according to UL94		
<b>Operating Temperature</b>	<b>Permanent</b>	-20 °C to +100 °C	<b>Intermittent</b>
			-30 °C to +150 °C
<b>Cable Type</b>	Non armoured		
<b>Accessories</b>	<ul style="list-style-type: none"> <li>• Lock nuts</li> <li>• Dome plugs</li> <li>• Gaskets</li> </ul>		
<b>Thread Type</b>	<ul style="list-style-type: none"> <li>• Metric EN 64423</li> <li>• Pg DIN 40430</li> <li>• Other thread types also available upon request.</li> </ul>		
<b>Remarks</b>	<ul style="list-style-type: none"> <li>• Manufactured according to DIN EN 62444/50262.</li> <li>• We recommend the use of lock nuts and gaskets to ensure IP rating for rough surfaces or through holes.</li> <li>• Some approvals do not cover all sizes.</li> </ul> <p><b>Note:</b> Applications of most cable glands don't require same parameters applied to tests. For applications strictly acc. to the approval definitions please consult data sheet.</p>		
<b>Approvals</b>			
	<b>Certificate Number</b>	<b>Standards</b>	
	40040032	acc. to DIN EN 62444	
	E199260	acc. to UL514	

Some approvals do not cover all sizes. For more approvals: see our webpage.



## Ventilation Glands Brass



Thread Type **METRIC** acc. to EN 60423

Size	Clamping Range Ø min-max mm	Thread Length TL mm	Thread Ø TD mm	Spanner Width		Outer Ø D mm	max. Height H mm	Average Air Flow for ΔP = 70 mbar l/h	Water Intrusion Pressure bar	Part Number	Packing Unit
				SW Cap mm	SW Body mm						
M12x1,5	2,0 - 6,0	6,0	12,0	17	17	18,8	30,5	25	0,1	BMBDVG-05	50
	4,0 - 8,0									BMBCVG-05	
M16x1,5	2,0 - 6,0	5,0	16,0	17	17	18,8	27,0	25	0,1	BMBDVG-01	50
	3,0 - 7,0	8,0		20	20	22,0	32,0	35		BMBDVG-01L	
	4,0 - 8,0	5,0		17	17	18,8	27,0	25		BMBCVG-01	
	5,0 - 10,0	8,0		20	20	22,0	32,0	35		BMBCVG-01L	
	5,0 - 9,0	8,0		20,0	22	22	24,5	28,0		50	
6,0 - 12,0	BMBCVG-02										

Thread Type **PG** acc. to DIN 40430

Size	Clamping Range Ø min-max mm	Thread Length TL mm	Thread Ø TD mm	Spanner Width		Outer Ø D mm	max. Height H mm	Average Air Flow for ΔP = 70 mbar l/h	Water Intrusion Pressure bar	Part Number	Packing Unit
				SW Cap mm	SW Body mm						
PG 7	2,0 - 6,0	8,0	12,5	17	17	18,8	30,5	25	0,1	BSBDVG-01	50
	4,0 - 8,0									BSBCVG-01	
PG 9	2,0 - 6,0	6,0	15,2	17	17	18,8	27,0	25	0,1	BSBDVG-02	50
	4,0 - 8,0									BSBCVG-02	
PG 11	3,0 - 7,0	8,0	18,6	20	20	22,0	32,0	35	0,1	BSBDVG-03	50
	5,0 - 10,0									BSBCVG-03	
PG 13,5	5,0 - 9,0	6,5	20,4	22	22	24,5	28,0	50	0,1	BSBDVG-04	50
	6,0 - 12,0									BSBCVG-04	