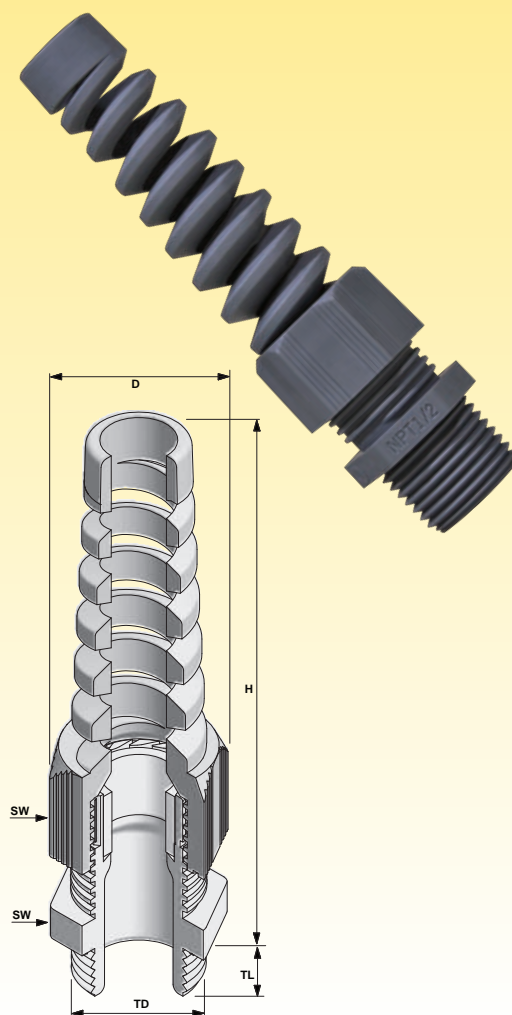


NPT THREAD CABLE GLANDS

BNSP

CABLE PROTECTION SERIES

Technical Details		
Material		
Body	PA 6 (Polyamide 6)	
Cap	PA 6 (Polyamide 6)	
Seal	CR (Chloroprene Rubber)	
Flammability		
Protection Class	V2 (According to UL 94)	
Operating Temperature		
Permanent	-20 °C up to +100 °C	
Intermittent	-30 °C up to +150 °C	
Attachment Thread		
	ANSI B 1.20.1	
Benefits		
	Offers additional security against conductor damage especially in moving machine parts. Easy to assemble Easy handling	
Accessories		
	For Lock nuts compatible with Npt threads, please refer to page 00 Reducing seals Flat cable seals Multihole seals	
Approvals		
	VDE, UL, UR, CSA, see page 82	
UV Test Report Ref. & Standard	RES 107572 & UL514B § 8.26.7	
Remarks		
	Different sealing types available Large accessory range Manufactured according to the requirements of EN 50262	



Thread Type	Clamping Range Ø min-max inch	Technical Information					Codes			Packing Information	
		TL inch	TD inch	SW inch	Max. H inch	D inch	Ral 7001	Ral 7035	Ral 9005	Inner Pack	Box/Min.OQ
NPT 3/8"	0,197 - 0,394	0,590	0,653	0,866	3,110	0,984	BNSPA-01	BNSPA-11	BNSPA-21	50	1.500
NPT 1/2"	0,236 - 0,472	0,590	0,809	0,945	3,740	1,094	BNSPB-02	BNSPB-12	BNSPB-22	50	1.000
	0,394 - 0,551		0,815	1,063	4,133	1,212	BNSPC-02	BNSPC-12	BNSPC-22		
NPT 3/4"	0,551 - 0,709	0,590	1,020	1,299	4,645	1,488	BNSPD-03	BNSPD-13	BNSPD-23	25	500
Glands With Reducing Sealing											
NPT 3/8"	0,118 - 0,276	0,590	0,653	0,866	3,110	0,984	BNSPA-01R	BNSPA-11R	BNSPA-21R	50	1.500
NPT 1/2"	0,197 - 0,354	0,590	0,809	0,945	3,740	1,094	BNSPB-02R	BNSPB-12R	BNSPB-22R	50	1.000
	0,276 - 0,472		0,815	1,063	4,133	1,212	BNSPC-02R	BNSPC-12R	BNSPC-22R		
NPT 3/4"	0,354 - 0,630	0,590	1,020	1,299	4,645	1,488	BNSPD-03R	BNSPD-13R	BNSPD-23R	25	500