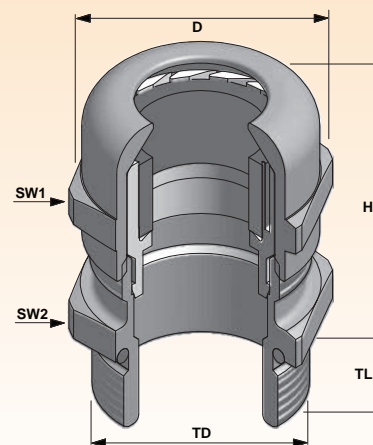


# METRIC & PG CABLE GLANDS

# BMSC-BSSC

STAINLESS STEEL SERIES

Technical Details		
<b>Material</b>		
<b>Body</b>	Alt.1 : 1,4305 (AISI 303) Alt.2 : 1,4404 (AISI 316L)	
<b>Cap</b>	Alt.1 : 1,4305 (AISI 303) Alt.2 : 1,4404 (AISI 316L)	
<b>Seal</b>	Chloroprene	
<b>O-ring</b>	NBR	
<b>Clamp.Insert</b>	Polyamide 6	
<b>Flammability</b>	V2 (According to UL 94)	
<b>Protection Class</b>	IP 68 - 5 Bar	
<b>Operating Temperature</b>		
<b>Permanent</b>	-20 °C up to +100 °C	
<b>Intermittent</b>	-40 °C up to +300 °C	
<b>Benefits</b>		
	Suitable for highest demands of todays technology	
	Easy to assemble	
	Easy handling	
	Water tight	
	Strain relief	
<b>Accessories</b>		
	Lock nuts	
	Reducing seals	
	Flat cable seals	
	Multihole seals	
<b>Approvals</b>		
	VDE, UL, UR, CSA, see page 82	
<b>Remarks</b>		
	Main usage of these glands is in tunnel lighting and chemical industry where high mechanical and chemical resistance is required. Cap and Body can be produced from AISI 303 (1,4305) or AISI 316L (1,4404) grade stainless steel.	



Thread Type	Clamping Range Ø min-max mm	Technical Information						Codes	Packing Information	
		TL mm	TD mm	SW1 mm	SW2 mm	Max. H mm	D mm		Inner Pack	Box/Min.OQ
<b>Metric Thread (Attachment thread : EN 60423)</b>										
M12X1,5	3,0 - 6,5	6,0	12,0	14,0	14,0	21,5	15,5	BMSC-05	50	2.000
M16X1,5	4,0 - 8,0	7,0	16,0	17,0	19,0	23,0	18,9	BMSC-01	50	1.500
M20X1,5	6,0 - 12,0	8,0	20,0	22,0	22,0	24,3	24,5	BMSC-02	50	800
M25X1,5	10,0 - 14,0	8,0	25,0	24,0	27,0	27,6	26,8	BMSC-03	25	500
M32X1,5	13,0 - 18,0	9,0	32,0	30,0	36,0	31,2	33,0	BMSC-04	25	350
M40X1,5	18,0 - 25,0	9,0	40,0	41,0	46,0	38,5	45,5	BMSC-05	20	160
M50X1,5	22,0 - 32,0	9,0	50,0	50,0	55,0	47,3	55,5	BMSC-06	15	90
M63X1,5	34,0 - 44,0	14,0	63,0	65,0	70,0	50,3	71,0	BMSC-07	12	72
<b>Pg Thread (Attachment thread : DIN 40430)</b>										
Pg7	3,0 - 6,5	6,0	12,5	14,0	14,0	21,8	15,5	BSSC-01	50	2.000
Pg9	4,0 - 8,0	6,0	15,2	17,0	17,0	22,6	18,9	BSSC-02	50	1.500
Pg11	5,0 - 10,0	6,0	18,6	22,0	22,0	25,3	24,0	BSSC-03	50	1.000
Pg13,5	6,0 - 12,0	6,5	20,4	22,0	22,0	24,1	24,5	BSSC-04	50	800
Pg16	10,0 - 14,0	6,5	22,5	24,0	24,0	27,5	26,8	BSSC-05	25	600
Pg21	13,0 - 18,0	7,2	28,3	30,0	30,0	31,2	33,0	BSSC-06	25	350
Pg29	18,0 - 25,0	8,0	37,0	41,0	41,0	39,3	45,5	BSSC-07	20	160
Pg36	22,0 - 32,0	9,0	47,0	50,0	50,0	47,2	55,5	BSSC-08	15	90
Pg42	30,0 - 38,0	12,0	54,0	60,0	60,0	47,7	66,5	BSSC-09	12	72
Pg48	34,0 - 44,0	14,0	59,3	65,0	65,0	52,0	71,0	BSSC-10	12	72